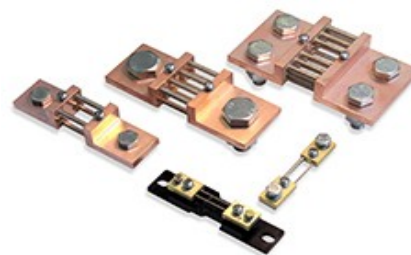


PRELIMINARY TECHNICAL INFORMATION

HIGHLIGHTS

- Measuring or current feedback
- Standard 60mV output
- Accuracy class 0,5
- Available from 1 to 15kA
- Shunts of 1 to 25A fixed on an isolating base
- The isolating base is adapted to be assembled on a 35 mm DIN rail
- Special construction on request



non-contractual image

TECHNICAL DATA	
Electromagnetic compatibility	EN 61000-6-2 & EN 61000-6-4
Accuracy class	0,5
Shunt calibration	1 to 10A ranges 10mA current of the meter measuring element
Shunt dimensions	DIN 43703
Testing voltage of shunts with an isolating base	5 kV
Optimal resistance of a pair of wires connecting the shunt signal	35 mOhms (not delivered)
Voltage (signal) terminals	DIN 7985 M5x8 Bolts
Power terminals	DIN 933 Bolts (see type table)

AVAILABLE TYPES & DIMENSIONS

I_N (A)	Fig.	a1	a2	b1	b2	b3	c1	c2	e	h	Weight (Kg)	Lz	Bolt
25	A	90	28	20	nc	nc	8	nc	78	nc	0,13	2x1	M5x12
150	D	100	33	20	nc	nc	8	nc	80	nc	0,13	2x1	M8x16
250	B	145	55	30	15	nc	10	10	105	30	0,60	2x1	M12x40
400		145	55	40	20	nc	10	10	105	30	0,85	2x1	M16x45
600		145	55	40	20	nc	10	10	105	30	0,85	2x1	M16x45
1000		165	65	60	30	nc	10	10	115	30	1,45	2x1	M20x50
1500		165	65	90	21	48	10	10	115	30	2,00	2x2	M16x45
2500		165	65	120	30	60	10	10	115	30	2,90	2x2	M20x50
4000	C	165	65	120	30	60	15	10	115	60	4,30	2x2	M20x60
6000		175	70	154	25	52	25	15	125	130	10,50	2x3	M20x75
10000		185	75	206	25	52	30	20	135	170	21,00	2x4	M20x80
15000		185	75	310	25	52	30	20	135	170	32,00	2x6	M20x80

Apply higher type for intermediate currents value (I_N)

190214 Rev.:0

DIMENSIONS

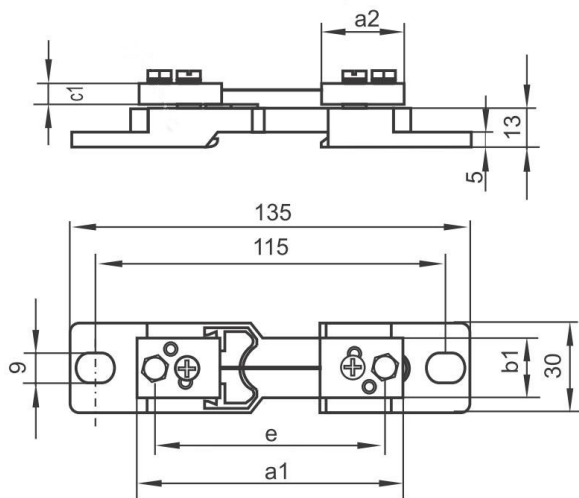


Fig. A

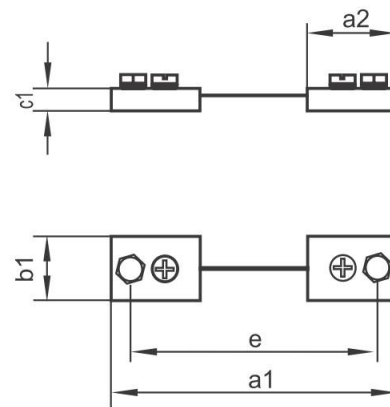


Fig. D

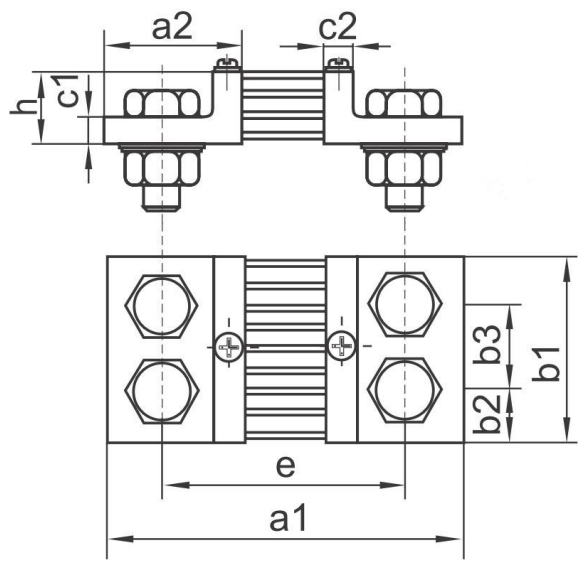


Fig. B

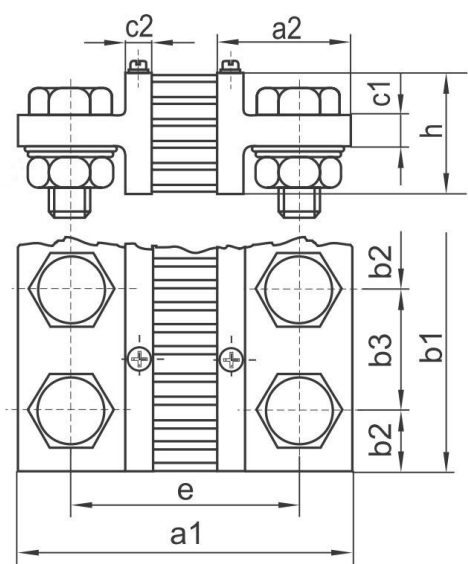


Fig. C

All dimensions in mm

ORDER CODES

SC-SH 00002 S 5
(1) (2) (3) (4)

- 1- Product code (SEMICODE SHUNT)
- 2- Five digits nominal current (whole fraction)
- 3- Decimal separator and type identifier ("S" for 60mV standard shunt)
- 4- One digit nominal current (decimal fraction)

Cost Effective Products

SEMICODE ELECTRONICA

Offers to the market a comprehensive range of products from recognized manufacturers at the best price/quality ratio, this products are provided with a basic reference code that allows maintaining the same product reference even if the original device manufacturer is replaced. SEMICODE product reference has to be considered as a generic brand.

Seeking the market needs and trends, we are constantly increasing the product portfolio with new products and suppliers, please ask for the updated information available to our local contacts.

SEMICODE products include semiconductors, passive components and accessories focused in power electronics market.

Datasheet Annotations:

SEMICODE ELECTRONICA annotate datasheets in the top left hard corner of the front page, to indicate product status. The annotations are as follows:

Tentative information: This is the most tentative form of information and represents a very preliminary specification. No actual design work on the product has been started.

Preliminary Information: The product is in design and development. The datasheet represents the product as it is understood but details may change.

Advance Information: The product design is complete and final characterisation for volume production is well in hand.

No Annotation: The product parameters are fixed and the product is available to datasheet specification.

NOTICE: The technical data are to specify components, not to guarantee their properties.No warranty or guarantee expressed or implied is made regarding delivery or performance. The Company reserves the right to alter without prior notice the specification of any product. Information concerning possible methods of use is provided as a guide only and does not constitute any guarantee that such methods of use will be satisfactory in a specific piece of equipment. It is the user's responsibility to fully determine the performance and suitability of any equipment using such information and to ensure that any publication or data used is up to date.

All brand names and product names used in this publication are trademarks, registered trademarks or trade names of their respective owners.

© SEMICODE ELECTRONICA 2008. TECHNICAL DOCUMENTATION – NOT FOR RESALE