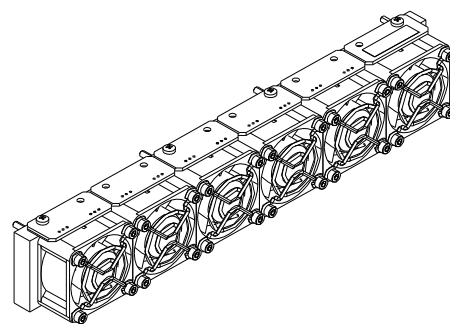


PRELIMINARY TECHNICAL INFORMATION
HIGHLIGHTS

- Standard for extruded heatsinks: RG14082
- Polarity protection
- High reliability and performance
- Easy and neat assembly



non-contractual photo

TECHNICAL SPECIFICATIONS

Description	notes/test conditions	min	typ	max	
Input supply voltage	$V_{IN\ DC}$	11.3	12	13.2	V_{DC}
Input supply current	$I_{IN\ DC}$		948	1062	mA
Power consumption	P_N		11.38		W
Rated speed	±10%		8200		rpm
Air Flow	Free air		1.65		m ³ /min
Static Air Pressure	Free air		88.8		Pa
Noise Level	per fan		37.5		dB(A)
Storage Temperature	T_{stg} 65% RH	-40		70	°C
Operating Temperature	T_{op} 65% RH	-10		70	°C
Failure Rate	40°C / 65% RH		70000		h

 Data at $T_a = 25\ ^\circ\text{C}$, $V_N = 12\ V_{DC}$ and rated values, unless otherwise indicated

MECHANICAL DIMENSIONS

Description		
Module dimensions	250x40x35	mm
Fixations	4x DIN912 M3x40	
Weight (aprox)	360	g

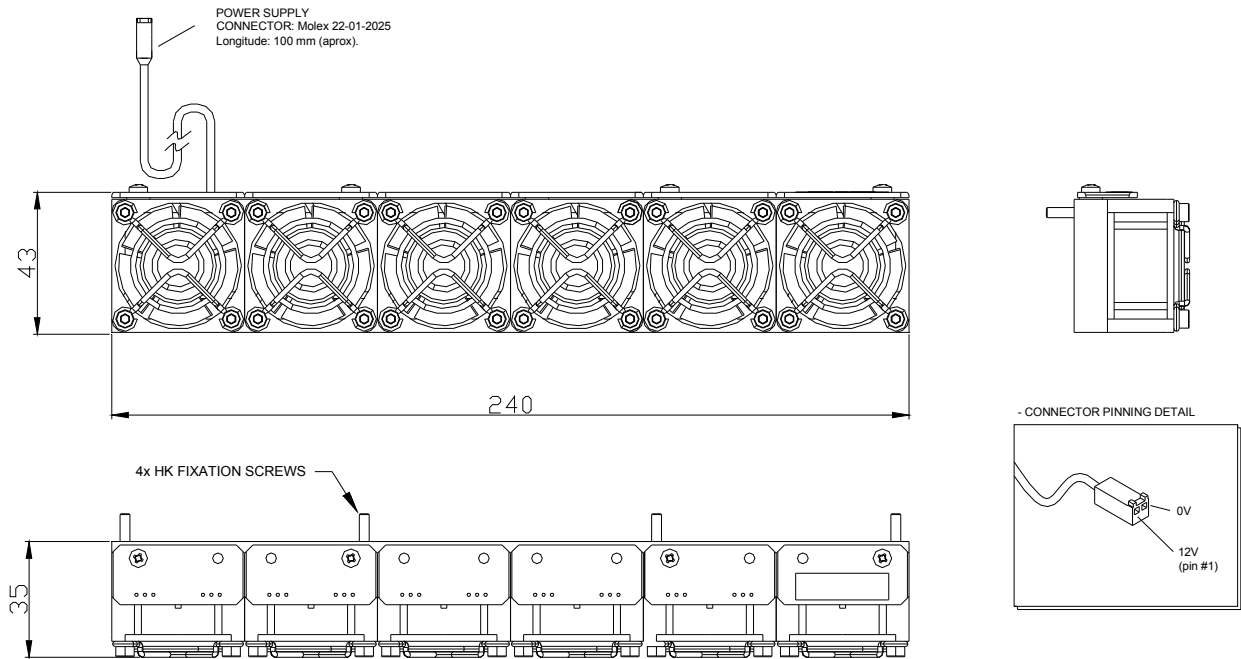
CONNECTIONS

Description	notes/test conditions	min	typ	max	
Supply Connector (cable socket)	Type KK 6471 2.54 (Molex: 22-01-2025)				
Mate Connector (PCB header)	Type KK 6410 2.54 (Molex: 22-27-2021)				
Cable section		30	26	22	AWG

CONFORMALS

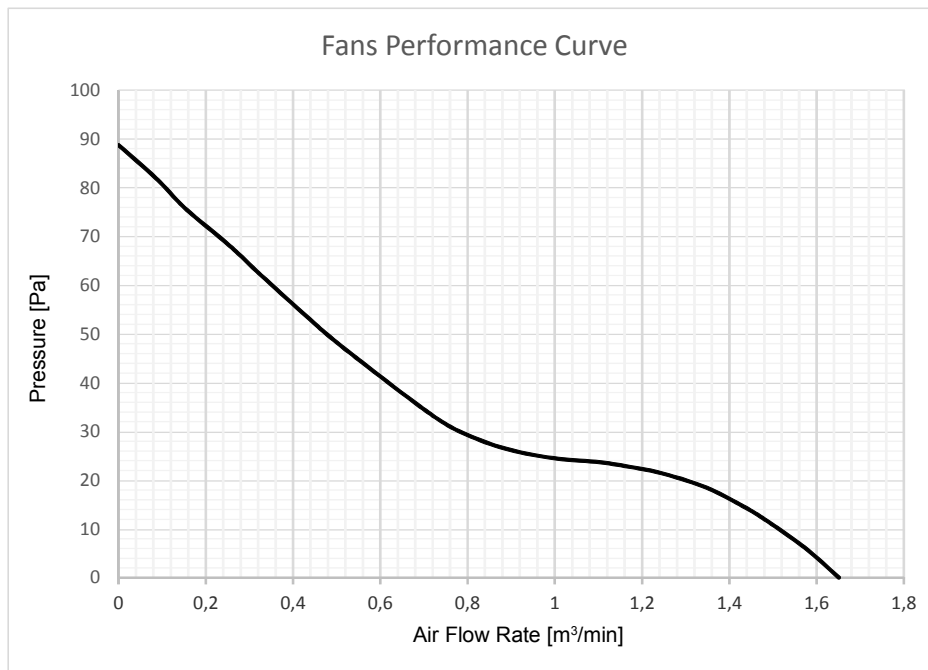
Conformal coating		MIL-1-46058, Type UR
Security	TUV	EN60950-1, UL60950-1
Electromagnetic Compatibility	CE	EN 61000-6-1:2007, EN 61000-6-3:2007

MECHANICAL DIMENSIONS AND PINOUT

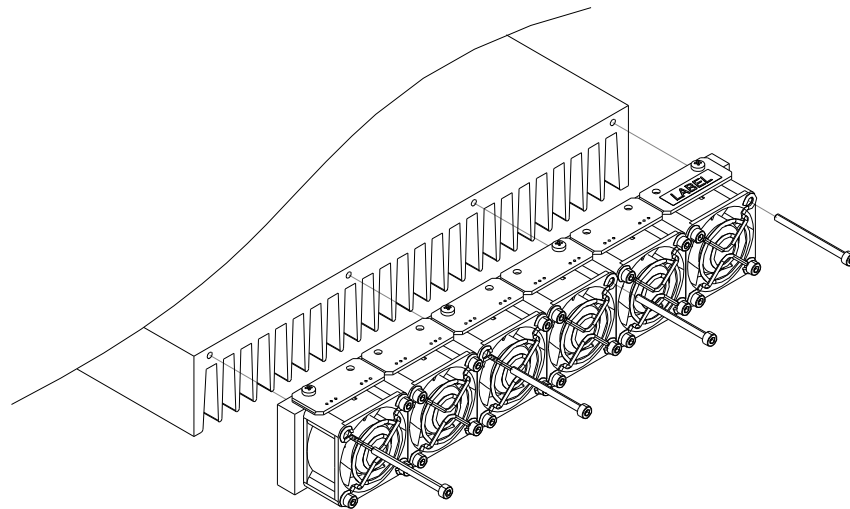
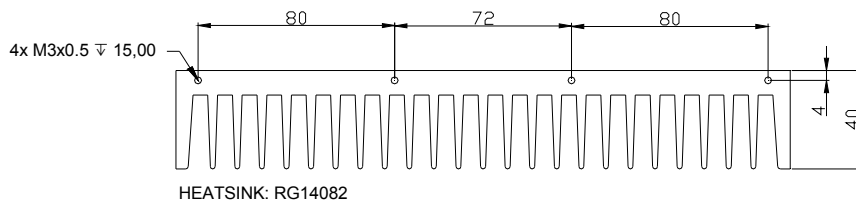


All measures in mm.

FAN MODULE PERFORMANCE CURVE



RECOMMENDED HEATSINK DRILLING FOR MODULE FIXATION



All measures in mm.

Fan module's fixation with the heatsink is made by 4 Allen screws (DIN 912 M03x40). All the necessary mounting hardware is provided with the fan module.

SC-C250V40/12 fan module is prepared to work with 40 mm extruded heatsinks as e.g. RG14082.

Cost Effective Products

SEMICODE ELECTRONICA

Offers to the market a comprehensive range of products from recognized manufacturers at the best price/quality ratio, this products are provided with a basic reference code that allows maintaining the same product reference even if the original device manufacturer is replaced. SEMICODE product reference has to be considered as a generic brand.

Seeking the market needs and trends, we are constantly increasing the product portfolio with new products and suppliers, please ask for the updated information available to our local contacts.

SEMICODE products include semiconductors, passive components and accessories focused in power electronics market.

Datasheet Annotations:

SEMICODE ELECTRONICA annotate datasheets in the top left hard corner of the front page, to indicate product status. The annotations are as follows:

Tentative information: This is the most tentative form of information and represents a very preliminary specification. No actual design work on the product has been started.

Preliminary Information: The product is in design and development. The datasheet represents the product as it is understood but details may change.

Advance Information: The product design is complete and final characterisation for volume production is well in hand.

No Annotation: The product parameters are fixed and the product is available to datasheet specification.

NOTICE: The technical data are to specify components, not to guarantee their properties.No warranty or guarantee expressed or implied is made regarding delivery or performance. The Company reserves the right to alter without prior notice the specification of any product. Information concerning possible methods of use is provided as a guide only and does not constitute any guarantee that such methods of use will be satisfactory in a specific piece of equipment. It is the user's responsibility to fully determine the performance and suitability of any equipment using such information and to ensure that any publication or data used is up to date.

All brand names and product names used in this publication are trademarks, registered trademarks or trade names of their respective owners.

© SEMICODE ELECTRONICA 2008. TECHNICAL DOCUMENTATION – NOT FOR RESALE