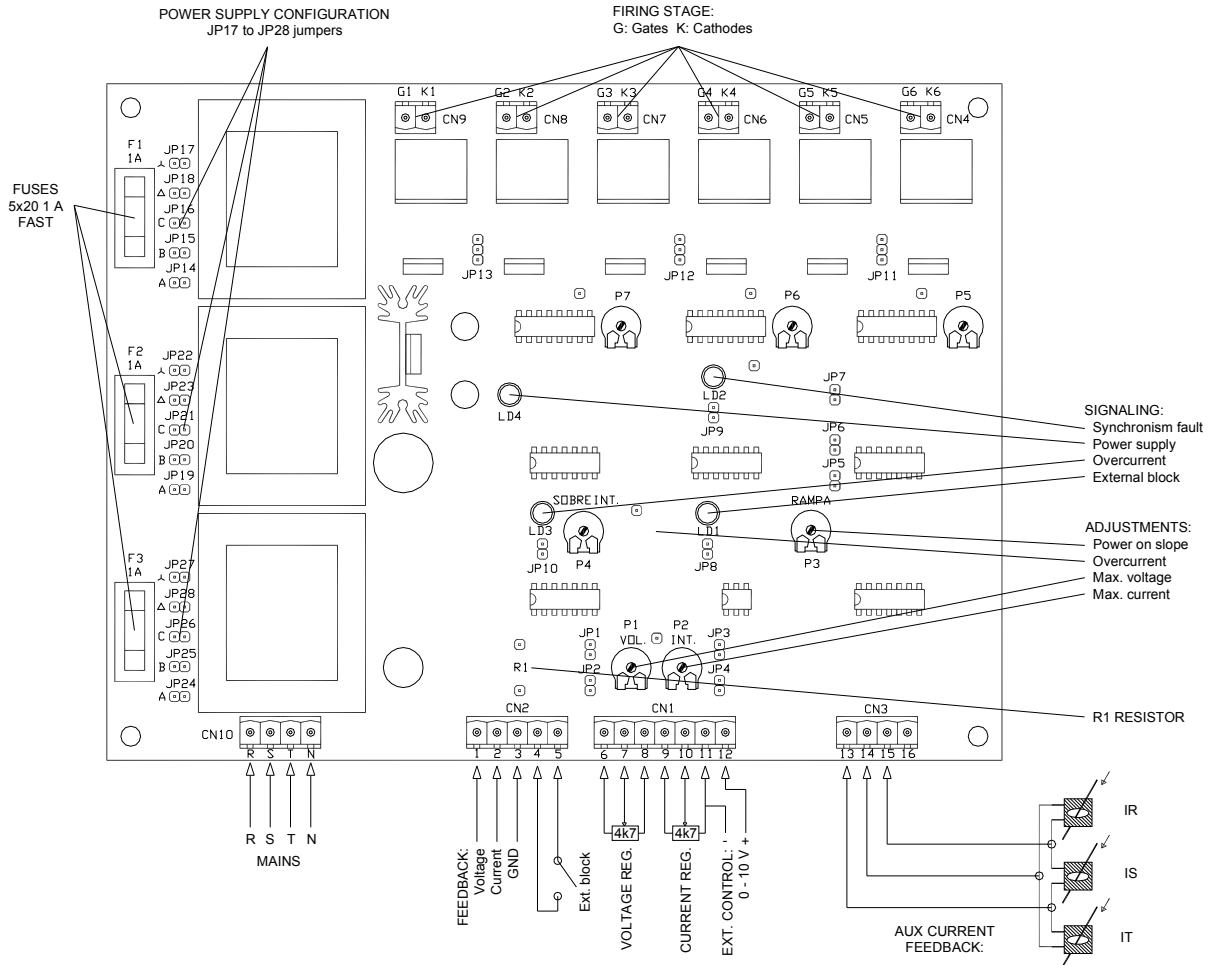


**QUICK CONNECTION GUIDE**



**R1 RESISTOR:**

- **Rectifier DC bridge voltage feedback:**  
direct voltage feedback (without galvanic isolation):  
 $R1 = 1500/V_R$ .
- **AC/AC control voltage feedback:**  
using SCCAV02 (without galvanic isolation)  
 $R1 = 2000/V_R$ .  
using SCCAV02-OA (with galvanic isolation)  
 $R1 = 82 \text{ k}\Omega$

*R1 in kΩ, V<sub>R</sub> in Volts (maximum peak output)*

**NOTE:**  
**This is only a quick connection guide.**  
**Please ask to your distributor for the complete manual.**

120124 rev. 0

**SEMICODE ELECTRONICA**

Offers to the market a comprehensive range of products from recognized manufacturers at the best price/quality relationship, this products are provided with a basic reference code that allows maintaining the same product reference even if the original device manufacturer is replaced. SEMICODE product reference has to be considered as a generic brand.

Seeking the market needs and trends, we are constantly increasing the product portfolio with new products and suppliers, please ask for the updated information available to our local contacts.

SEMICODE products include semiconductors, passive components and accessories focused in power electronics market.